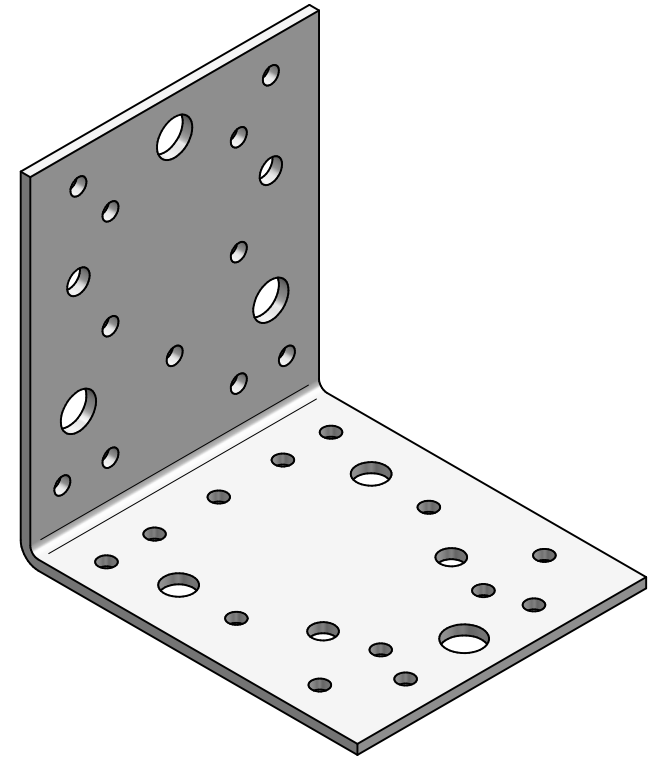


3.2



Hole	Size	Count
A	5 mm	24
C	7 mm	4
B	9 mm	2
D	11 mm	4

Product name: Angle bracket 105x105x90x3,0
Material: HDG DX51D Z275